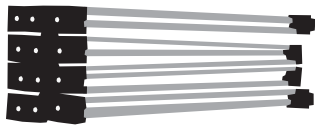


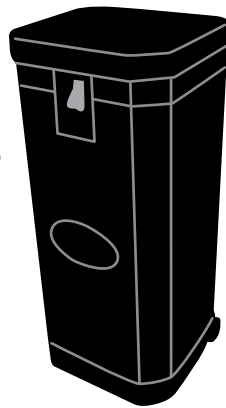
1



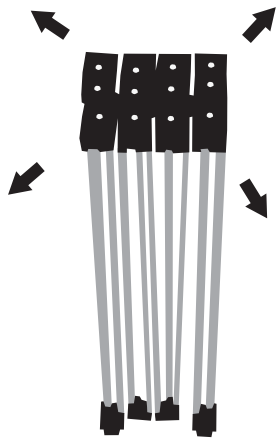
●



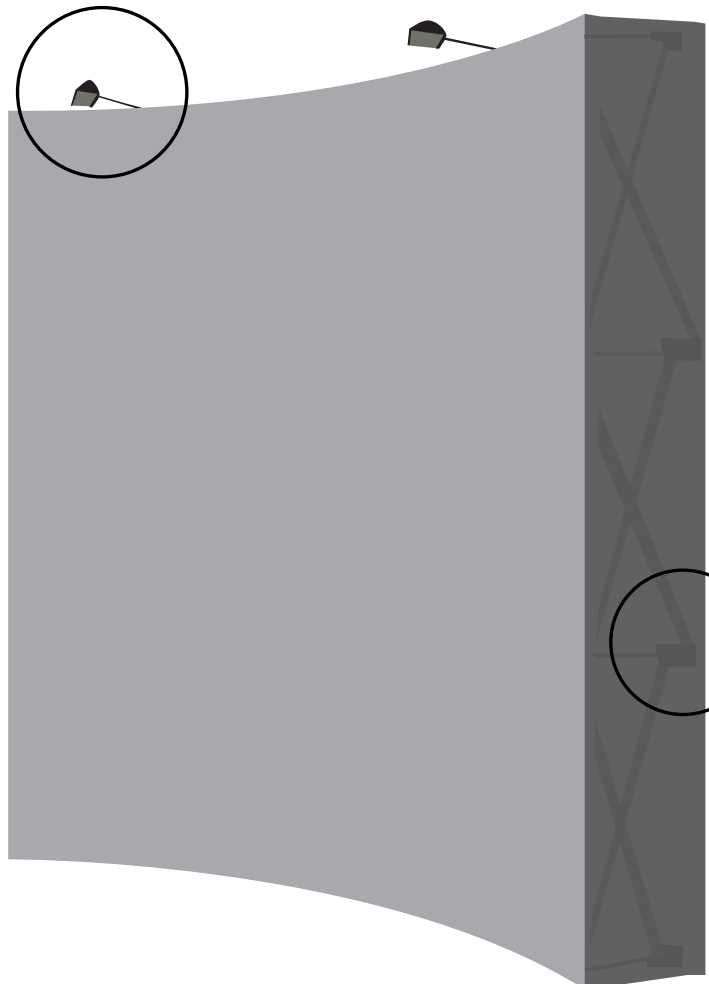
3



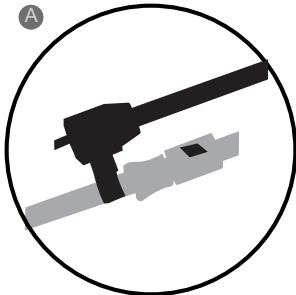
- Halogen spotlights
- Curve aluminium frame
- Wheeled hard case



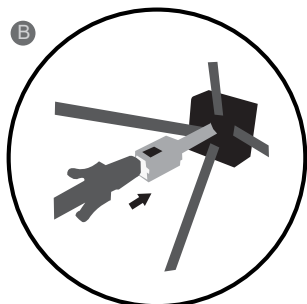
A



A



B



**Please LOOSE ALL THE SOCKETS before disassembling the banner stand.**

Download an invoice on our website

Please login to our website to download your latest invoice, or contact us for help [service@flagaholic.com](mailto:service@flagaholic.com)

Canada	<a href="http://www.flagaholic.ca/account.html">www.flagaholic.ca/account.html</a>
United States	<a href="http://www.flagaholic.com/account.html">www.flagaholic.com/account.html</a>
New Zealand	<a href="http://www.flagaholic.co.nz/account.html">www.flagaholic.co.nz/account.html</a>
Australia	<a href="http://www.flagaholic.com.au/account.html">www.flagaholic.com.au/account.html</a>
United Kingdom	<a href="http://www.flagaholic.co.uk/account.html">www.flagaholic.co.uk/account.html</a>